



## **APPENDIX A3**

# **eCAPS TIME COLLECTION**

## **Interface Design Document Timesheet (TIMEI) Inbound Interface**

**July 2008**





---

# Table of Contents

<b>1</b>	<b>Design Summary</b> .....	<b>1-1</b>
1.1	Assumptions .....	1-1
1.2	Interface Source File .....	1-2
1.2.1	Naming Convention .....	1-2
1.2.2	FTP Instructions .....	1-3
<b>2</b>	<b>Interface Source File Specification</b> .....	<b>2-4</b>
2.1	Definitions and Conventions .....	2-4
2.2	Interface Source File Structure.....	2-5





---

## List of Exhibits

Exhibit 2-1	Interface Source File Components .....	2-5
Exhibit 2-2	CGI Advanatage - AMS Document Layout (ADC Record)..	2-6
Exhibit 2-3	TIMEI Document Header Layout (HDR Record).....	2-8
Exhibit 2-4	TIMEI Document Line Layout (LIN Record) .....	2-9
Exhibit 2-5	TIMEI Trailer Layout (TRL Record).....	2-45



# 1 Design Summary

This document serves as an interface specification to pull records from an external staffing and scheduling system into the eCAPS Time Collection system. The Timesheet details being imported to eCAPS Time Collection must be in a format that is recognized by the Advantage product. Failure to adhere to these standards will result in errors and faulty imports. This document describes the standards and the specific layout for timesheets that are interfaced into eCAPS Time Collection.

The purpose of this interface design document is to detail and document the Timesheet (TIMEI) Input Interface specifications. This document contains the detailed specifications of the following interface components:

- **Assumptions** – The assumptions under which this document was created.
- **Interface Source File** – The data that is extracted from the source system. This file is in a format documented within and contains the source system data after the application of all data element transformations. Included in this section are the naming conventions that are used and the FTP instructions.
- **Testing Requirements** – The details regarding what is required from the County in order to properly unit and system test this interface.

## 1.1 Assumptions

This interface design document was developed under the following assumptions. As issues are addressed, it may be necessary to modify this interface design document accordingly.

- All data being submitted to eCAPS Time Collection will be in the required flat file (ASCII fixed) format. The file will then be converted to an XML file using an ETL tool called PDI so that the Time Collection system can recognize it.
- The timesheet is in the process of being redesigned and developed by CGI Product Engineering Group to meet the needs of the LA County, therefore, this TIMEI document will be changed by the CGI as needed.
- This interface will not work for Time Adjustments (TADJ) documents.

- After a timesheet is approved by the employee, it will be sent to the employee's Supervisor. The TIMEI documents created will be sent for review and approval by supervisors based on the workflow rules setup in the Advantage system for the TIMEI document.
- Any documents loaded by the interface and then rejected in eCAPS Time Collection will be manually corrected and resubmitted as necessary within eCAPS Time Collection.

## 1.2 Interface Source File

The timesheet data that will be submitted to eCAPS Time Collection must be in an XML format that can be loaded into a TIMEI document in the Advantage HRM system. Hence the ASCII fixed file received will be converted into an XML file. The TIMEI document primarily uses two database tables; TIMEI\_DOC\_HDR and TIMEI\_DOC\_LINE. These two database tables are the locations of where the data would be stored when one enters and saves Time and Attendance information in eCAPS Time Collection. In order for eCAPS Time Collection to successfully save the data, however, certain required fields must be present at the time of the save. Hence, the incoming text file must at least contain all of the required tags, along with its corresponding data.

Interface files must be prepared without the use of binary or packed data and adhere to the following naming convention. The County to extract and transfer this file in the appropriate ASCII fixed format and in the manner described below.

### 1.2.1 Naming Convention

The interface source file's naming convention is comprised of several nodes. An example of an interface source file name as well as an explanation of each of the naming convention nodes are described below.

ECAPS\_FR\_TIMEI\_AESS\_20051101

- DOC\_DEPT\_CD – The second node is the two or three byte eCAPS department id (e.g. SH - Sheriff, FR – Fire, PB - Probation, etc...)
- DOC\_CD – The third node is the four or five byte eCAPS document code (TIMEI)
- LEGACY78 – The fourth node is a maximum of eight bytes for the department legacy system identifier (e.g. CWTAPPS, CWPAY, AESS, etc...) or external scheduling system.



- YYYYMMDD – The fifth node is the appropriately formatted date the interface source file is generated (20051101). This date should change depending upon the frequency of the interface. It is preferred that the date be coded as the system date. In the case where multiple files are sent on the same day, the file name should be unique.

### 1.2.2 FTP Instructions

After the County creates the interface source file, the County then transfers the file via FTP to a static location.



## 2 Interface Source File Specification

### 2.1 Definitions and Conventions

---

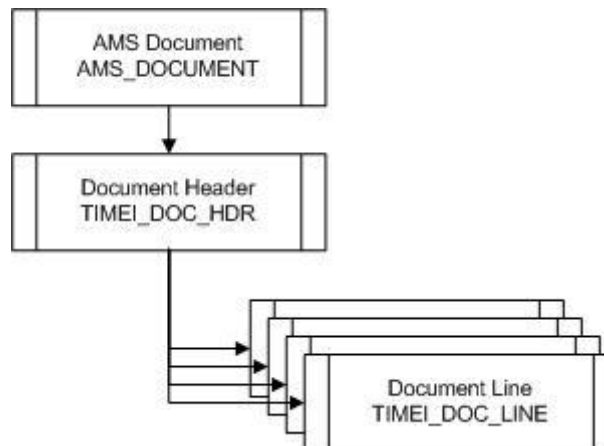
This section describes/defines the naming conventions applied in this section.

- **Attribute** – The name of the data element in the database.
- **Caption** – The label of the data element.
- **Description** – A textual description of the data element
- **R/C** – Required/Conditional
  1. Required (**R**) specifies that the data element is required by the interface for the transaction to successfully process
  2. Conditionally Required (**CR**) means that specified conditions must be adhered to by the interface for the transaction to process successfully. When not required the field can be spaces
  3. Optional (**O**) specifies that the data element is optional by the interface and can be populated with spaces
  4. Prohibited (**P**) means that for this transaction the data element is prohibited and must be populated with spaces
- **Data Type** – The data type of the data element
  5. Date – Date Format "MMDDYYYY"
  6. Decimal – Numeric value with a specified decimal position (9,3) = 999999999.999. Negative numbers must be prefixed with a negative sign
  7. Text – Alphanumeric text field with a maximum number as defined for each field
  8. Numeric – Numeric value, a whole number
  9. Size – The (numeric) size of the data element
  10. Flag – True/False. True conditions = 1, False conditions = 0
- **Comments** – Comments specific to the data element

## 2.2 Interface Source File Structure

The interface source file structure is a text file formatted as follows. This file contains data grouped into individual TIMEI records. Each group begins with an CGI Advantage (AMS) Document (ADC Record Type). Then, the TIMEI Document Header (HDR Record Type) is listed followed by one or many TIMEI Document Lines (LIN Record Type). A single line of data in the TIMEI\_DOC\_HDR corresponds to one employee appointment and one pay period. On the other hand, a single line of data in the TIMEI\_DOC\_LINE table corresponds to one day of a pay period and one pay event. It will contain all the relevant information regarding that single day and pay event code. When multiple days and multiple pay events in a pay period are entered, multiple lines exist in the TIMEI\_DOC\_LINE table. There may be many individual TIMEI records within this XML.

### ***Exhibit 2-1 Interface Source File Components***







**Exhibit 2-2 CGI Advanatage - AMS Document Layout (ADC Record)**

Attribute	Caption	Description	R/C	Type	Size	Comments
REC_TYPE	Record Type	This value identifies the flat file record as the AMS DOCUMENT record.	R	T	3	"ADC"
DOC_TYPE	Document Type	The type of document, defined in the Document Type table. Each document code must be assigned a document type.	R	T	5	"TIMEI"
DOC_CD	Document Code	The alpha-numeric code that indicates the type of transaction.	R	T	5	"TIMEI"
DOC_DEPT_CD	Document Department	The department code assigned to this document.	R	T	2	Valid values can be found in the R_DEPT table in the eCAPS Financial system. This department will be used for security and workflow of the document.  For example: AU, HG, HS. Home Department.
DOC_UNIT_CD	Document Unit Code	The unit code associated with the document.	R	T	5	Valid values can be found in the R_UNIT table. This unit will be used for security and workflow of the document.  It equates to the Home Unit Code.



Attribute	Caption	Description	R/C	Type	Size	Comments
DOC_ID	Document ID	The unique document identifier.	R	T	11	Interfaced transactions will always contain a unique Document ID and will not make use of the automatically generated Document ID. The Document ID provided in the interface will be used to locate the transaction in eCAPS and to prevent duplicate transactions. Also verify that this numbering scheme is different from any of the ADNT (auto numbering) schemes.  Rule defined as concatenation of Date (YYMMDD) + Sequential Number (6 bytes).
DOC_VERS_NO	Document Version	The version number assigned to this document. The version is incremented with each modification draft.	R	N	2	"1"
AUTO_DOC_NUM	Automatic Document Numbering	Indicates if eCAPS will assign an unique Document ID for the document.	R	F	1	"0" - False
DOC_IMPORT_MODE	Document Import Mode	Indicates that the document is being made as an Original Entry 'OE' or it's a Modification 'MOD'.	R	T	3	"OE" for Original Entry



**Exhibit 2-3 TIMEI Document Header Layout (HDR Record)**

Attribute	Caption	Description	R/C	Type	Size	Comments
REC_TYPE	Record Type	This value identifies the flat file record as a Header record.	R	T	3	"HDR"
DOC_CD	Document Code	The alpha-numeric code that indicates the type of transaction.	R	T	5	"TIMEI"
DOC_DEPT_CD	Document Department Code	The department code assigned to this document.	R	T	2	Valid values can be found in the R_DEPT table in the eCAPS Financial system. This department will be used for security and workflow of the document.  For example: AU, HG, HS. Home Department.
DOC_ID	Document ID	The unique document identifier.	R	T	11	Same as AMS_DOCUMENT.  Rule defined as concatenation of Date (YYMMDD) + Sequential Number (6 bytes).
DOC_VERS_NO	Document Version Number	The version number assigned to this document. The version is incremented with each modification draft and after with a cancellation.	R	N	2	"1"
DOC_UNIT_CD	Document Unit Code	The unit code associated with this document.	O	T	5	Valid values can be found in the R_UNIT table. This unit will be used for security and workflow of the document.  It equates to the Home Unit Code.
AMS_ROW_VERSION_NO	AMS Row Version Number	USED FOR VERSATA CONTROL AND OPT. LOCKING.	R	N	2	"1"
EMPLOYEE_ID	Employee ID	The identification code associated with the employee. The employee ID is used to identify the employee in the system.	R	T	10	Pass the employee id.



APPOINTMENT_ID	Appointment ID	If the employee holds more than one appointment, enter the appropriate appointment identification number for the employee. If this field is blank, the employee data pertains to the employee's primary [blank] appointment.	R	T	1	If the Appointment ID pertains to the primary assignment, pass " ". (a single space) Otherwise, pass the 1 character long alpha numeric Appointment ID.
EFFECTIVE_DT	Effective Date	The date this information becomes effective. This field should be entered in mmddyyyy format.	R	DT	8	This is the pay period start date.
EXPIRATION_DT	Expiration Date	The last date this information is effective for. This field should be entered in mmddyyyy format.	R	DT	8	This is the pay period end date.
CONF_CHK_FL	Confirmation Check Flag	If checked, indicates that the information entered on the Timesheet is accurate and complies with the policy.	R	F	1	"1"
COMNT	Comments	Enter any additional text that might provide any additional information to the approver or pertains to the timesheet.	O	T	1500	Pass any comments desired. The maximum character limit is 1500 bytes.

**Exhibit 2-4 TIMEI Document Line Layout (LIN Record)**

Attribute	Caption	Description	R/C	Type	Size	Comments
REC_TYPE	Record Type	This value identifies the flat file record as an TIMEI Line record.	R	T	3	"LIN"



Attribute	Caption	Description	R/C	Type	Size	Comments
DOC_CD	Document Code	The alpha-numeric code that indicates the type of transaction.	R	T	5	"TIMEI"
DOC_DEPT_CD	Document Department Code	The department code assigned to this document.	R	T	2	Valid values can be found in the R_DEPT table in the eCAPS Financial system. This department will be used for security and workflow of the document. For example: AU, HG, HS. Home Department.
DOC_ID	Document ID	The unique document identifier.	R	T	11	Same as TIMEI_DOC_HDR. Rule defined as concatenation of Date (YYMMDD) + Sequential Number (6 bytes).
DOC_VERS_NO	Document Version Number	The version number assigned to this document. The version is incremented with each modification draft and after with a cancellation.	R	N	2	"1"
DOC_LINE_LN_NO	Document Line	The line number associated with a timesheet line. This value must be unique within the document.	R	N	10	This is a sequential number that starts from 1. Each line within a document must be associated with a unique line number.
AMS_ROW_VERS_NO	AMS Row Version Number	USED FOR VERSATA CONTROL AND OPT. LOCKING.	O	N	2	"1"
EVNT_TYP_CODE	Event Type Code	The identification code associated with the event type.	R	T	5	Valid event codes can be found in the EVNT_TYPE table in the Time Collection system.
OVERRIDE_ID	Override ID	The accounting override identification.	O	T	10	A deviation code setup properly on the My Overrides Page for the employee.



Attribute	Caption	Description	R/C	Type	Size	Comments
DAY_1_HRS_MIN	D1	Time worked on the first day of pay period.	O	T	5	<p>If applicable, this column will contain the employee's total time for the first day in HH:MM format. For example, if the total time is seven hours and 15 minutes, please pass '07:15'. Otherwise, pass Spaces.</p> <p>Hours worked on the first day for a specific event code per day.</p> <p>Please only pass either DAY_X_HRS_MIN or DAY_X_TITO_HRS.</p> <p>DAY_X_HRS_MIN shall be passed for leaves like Sick or Vacation where as</p> <p>DAY_X_TITO_HRS shall be passed on a daily basis.</p>
DAY_2_HRS_MIN	D2	Time worked on the second day of pay period.	O	T	5	<p>If applicable, this column will contain the employee's total time for the first day in HH:MM format. For example, if the total time is seven hours and 15 minutes, please pass '07:15'. Otherwise, pass Spaces.</p> <p>Hours worked on the first day for a specific event code per day.</p> <p>Please only pass either DAY_X_HRS_MIN or DAY_X_TITO_HRS.</p> <p>DAY_X_HRS_MIN shall be passed for leaves like Sick or Vacation where as</p> <p>DAY_X_TITO_HRS shall be passed on a daily basis.</p>

Attribute	Caption	Description	R/C	Type	Size	Comments
DAY_3_HRS_MIN	D3	Time worked on the third day of pay period.	O	T	5	<p>If applicable, this column will contain the employee's total time for the first day in HH:MM format. For example, if the total time is seven hours and 15 minutes, please pass '07:15'. Otherwise, pass Spaces.</p> <p>Hours worked on the first day for a specific event code per day.</p> <p>Please only pass either DAY_X_HRS_MIN or DAY_X_TITO_HRS.</p> <p>DAY_X_HRS_MIN shall be passed for leaves like Sick or Vacation where as</p> <p>DAY_X_TITO_HRS shall be passed on a daily basis.</p>
DAY_4_HRS_MIN	D4	Time worked on the fourth day of pay period.	O	T	5	<p>If applicable, this column will contain the employee's total time for the first day in HH:MM format. For example, if the total time is seven hours and 15 minutes, please pass '07:15'. Otherwise, pass Spaces.</p> <p>Hours worked on the first day for a specific event code per day.</p> <p>Please only pass either DAY_X_HRS_MIN or DAY_X_TITO_HRS.</p> <p>DAY_X_HRS_MIN shall be passed for leaves like Sick or Vacation where as</p> <p>DAY_X_TITO_HRS shall be passed on a daily basis.</p>



Attribute	Caption	Description	R/C	Type	Size	Comments
DAY_5_HRS_MIN	D5	Time worked on the fifth day of pay period.	O	T	5	<p>If applicable, this column will contain the employee's total time for the first day in HH:MM format. For example, if the total time is seven hours and 15 minutes, please pass '07:15'. Otherwise, pass Spaces.</p> <p>Hours worked on the first day for a specific event code per day.</p> <p>Please only pass either DAY_X_HRS_MIN or DAY_X_TITO_HRS.</p> <p>DAY_X_HRS_MIN shall be passed for leaves like Sick or Vacation where as</p> <p>DAY_X_TITO_HRS shall be passed on a daily basis.</p>
DAY_6_HRS_MIN	D6	Time worked on the sixth day of pay period.	O	T	5	<p>If applicable, this column will contain the employee's total time for the first day in HH:MM format. For example, if the total time is seven hours and 15 minutes, please pass '07:15'. Otherwise, pass Spaces.</p> <p>Hours worked on the first day for a specific event code per day.</p> <p>Please only pass either DAY_X_HRS_MIN or DAY_X_TITO_HRS.</p> <p>DAY_X_HRS_MIN shall be passed for leaves like Sick or Vacation where as</p> <p>DAY_X_TITO_HRS shall be passed on a daily basis.</p>





Attribute	Caption	Description	R/C	Type	Size	Comments
DAY_7_HRS_MIN	D7	Time worked on the seventh day of pay period.	O	T	5	<p>If applicable, this column will contain the employee's total time for the first day in HH:MM format. For example, if the total time is seven hours and 15 minutes, please pass '07:15'. Otherwise, pass Spaces.</p> <p>Hours worked on the first day for a specific event code per day.</p> <p>Please only pass either DAY_X_HRS_MIN or DAY_X_TITO_HRS.</p> <p>DAY_X_HRS_MIN shall be passed for leaves like Sick or Vacation where as</p> <p>DAY_X_TITO_HRS shall be passed on a daily basis.</p>
DAY_8_HRS_MIN	D8	Time worked on the eighth day of pay period.	O	T	5	<p>If applicable, this column will contain the employee's total time for the first day in HH:MM format. For example, if the total time is seven hours and 15 minutes, please pass '07:15'. Otherwise, pass Spaces.</p> <p>Hours worked on the first day for a specific event code per day.</p> <p>Please only pass either DAY_X_HRS_MIN or DAY_X_TITO_HRS.</p> <p>DAY_X_HRS_MIN shall be passed for leaves like Sick or Vacation where as</p> <p>DAY_X_TITO_HRS shall be passed on a daily basis.</p>



Attribute	Caption	Description	R/C	Type	Size	Comments
DAY_9_HRS_MIN	D9	Time worked on the ninth day of pay period.	O	T	5	<p>If applicable, this column will contain the employee's total time for the first day in HH:MM format. For example, if the total time is seven hours and 15 minutes, please pass '07:15'. Otherwise, pass Spaces.</p> <p>Hours worked on the first day for a specific event code per day.</p> <p>Please only pass either DAY_X_HRS_MIN or DAY_X_TITO_HRS.</p> <p>DAY_X_HRS_MIN shall be passed for leaves like Sick or Vacation where as</p> <p>DAY_X_TITO_HRS shall be passed on a daily basis.</p>
DAY_10_HRS_MIN	D10	Time worked on the tenth day of pay period.	O	T	5	<p>If applicable, this column will contain the employee's total time for the first day in HH:MM format. For example, if the total time is seven hours and 15 minutes, please pass '07:15'. Otherwise, pass Spaces.</p> <p>Hours worked on the first day for a specific event code per day.</p> <p>Please only pass either DAY_X_HRS_MIN or DAY_X_TITO_HRS.</p> <p>DAY_X_HRS_MIN shall be passed for leaves like Sick or Vacation where as</p> <p>DAY_X_TITO_HRS shall be passed on a daily basis.</p>



Attribute	Caption	Description	R/C	Type	Size	Comments
DAY_11_HRS_MIN	D11	Time worked on the eleventh day of pay period.	O	T	5	<p>If applicable, this column will contain the employee's total time for the first day in HH:MM format. For example, if the total time is seven hours and 15 minutes, please pass '07:15'. Otherwise, pass Spaces.</p> <p>Hours worked on the first day for a specific event code per day.</p> <p>Please only pass either DAY_X_HRS_MIN or DAY_X_TITO_HRS.</p> <p>DAY_X_HRS_MIN shall be passed for leaves like Sick or Vacation where as</p> <p>DAY_X_TITO_HRS shall be passed on a daily basis.</p>
DAY_12_HRS_MIN	D12	Time worked on the twelfth day of pay period.	O	T	5	<p>If applicable, this column will contain the employee's total time for the first day in HH:MM format. For example, if the total time is seven hours and 15 minutes, please pass '07:15'. Otherwise, pass Spaces.</p> <p>Hours worked on the first day for a specific event code per day.</p> <p>Please only pass either DAY_X_HRS_MIN or DAY_X_TITO_HRS.</p> <p>DAY_X_HRS_MIN shall be passed for leaves like Sick or Vacation where as</p> <p>DAY_X_TITO_HRS shall be passed on a daily basis.</p>



Attribute	Caption	Description	R/C	Type	Size	Comments
DAY_13_HRS_MIN	D13	Time worked on the thirteenth day of pay period.	O	T	5	<p>If applicable, this column will contain the employee's total time for the first day in HH:MM format. For example, if the total time is seven hours and 15 minutes, please pass '07:15'. Otherwise, pass Spaces.</p> <p>Hours worked on the first day for a specific event code per day.</p> <p>Please only pass either DAY_X_HRS_MIN or DAY_X_TITO_HRS.</p> <p>DAY_X_HRS_MIN shall be passed for leaves like Sick or Vacation where as</p> <p>DAY_X_TITO_HRS shall be passed on a daily basis.</p>
DAY_14_HRS_MIN	D14	Time worked on the fourteenth day of pay period.	O	T	5	<p>If applicable, this column will contain the employee's total time for the first day in HH:MM format. For example, if the total time is seven hours and 15 minutes, please pass '07:15'. Otherwise, pass Spaces.</p> <p>Hours worked on the first day for a specific event code per day.</p> <p>Please only pass either DAY_X_HRS_MIN or DAY_X_TITO_HRS.</p> <p>DAY_X_HRS_MIN shall be passed for leaves like Sick or Vacation where as</p> <p>DAY_X_TITO_HRS shall be passed on a daily basis.</p>



Attribute	Caption	Description	R/C	Type	Size	Comments
DAY_15_HRS_MIN	D15	Time worked on the fifteenth day of pay period.	O	T	5	<p>If applicable, this column will contain the employee's total time for the first day in HH:MM format. For example, if the total time is seven hours and 15 minutes, please pass '07:15'. Otherwise, pass Spaces.</p> <p>Hours worked on the first day for a specific event code per day.</p> <p>Please only pass either DAY_X_HRS_MIN or DAY_X_TITO_HRS.</p> <p>DAY_X_HRS_MIN shall be passed for leaves like Sick or Vacation where as</p> <p>DAY_X_TITO_HRS shall be passed on a daily basis.</p>
DAY_16_HRS_MIN	D16	Time worked on the sixteenth day of pay period.	O	T	5	<p>If applicable, this column will contain the employee's total time for the first day in HH:MM format. For example, if the total time is seven hours and 15 minutes, please pass '07:15'. Otherwise, pass Spaces.</p> <p>Hours worked on the first day for a specific event code per day.</p> <p>Please only pass either DAY_X_HRS_MIN or DAY_X_TITO_HRS.</p> <p>DAY_X_HRS_MIN shall be passed for leaves like Sick or Vacation where as</p> <p>DAY_X_TITO_HRS shall be passed on a daily basis.</p>

Attribute	Caption	Description	R/C	Type	Size	Comments
DAY_17_HRS_MIN	D17	Time worked on the seventeenth day of pay period.	O	T	5	<p>If applicable, this column will contain the employee's total time for the first day in HH:MM format. For example, if the total time is seven hours and 15 minutes, please pass '07:15'. Otherwise, pass Spaces.</p> <p>Hours worked on the first day for a specific event code per day.</p> <p>Please only pass either DAY_X_HRS_MIN or DAY_X_TITO_HRS.</p> <p>DAY_X_HRS_MIN shall be passed for leaves like Sick or Vacation where as</p> <p>DAY_X_TITO_HRS shall be passed on a daily basis.</p>
DAY_18_HRS_MIN	D18	Time worked on the eighteenth day of pay period.	O	T	5	<p>If applicable, this column will contain the employee's total time for the first day in HH:MM format. For example, if the total time is seven hours and 15 minutes, please pass '07:15'. Otherwise, pass Spaces.</p> <p>Hours worked on the first day for a specific event code per day.</p> <p>Please only pass either DAY_X_HRS_MIN or DAY_X_TITO_HRS.</p> <p>DAY_X_HRS_MIN shall be passed for leaves like Sick or Vacation where as</p> <p>DAY_X_TITO_HRS shall be passed on a daily basis.</p>

Attribute	Caption	Description	R/C	Type	Size	Comments
DAY_19_HRS_MIN	D19	Time worked on the nineteenth day of pay period.	O	T	5	<p>If applicable, this column will contain the employee's total time for the first day in HH:MM format. For example, if the total time is seven hours and 15 minutes, please pass '07:15'. Otherwise, pass Spaces.</p> <p>Hours worked on the first day for a specific event code per day.</p> <p>Please only pass either DAY_X_HRS_MIN or DAY_X_TITO_HRS.</p> <p>DAY_X_HRS_MIN shall be passed for leaves like Sick or Vacation where as</p> <p>DAY_X_TITO_HRS shall be passed on a daily basis.</p>
DAY_20_HRS_MIN	D20	Time worked on the twentieth day of pay period.	O	T	5	<p>If applicable, this column will contain the employee's total time for the first day in HH:MM format. For example, if the total time is seven hours and 15 minutes, please pass '07:15'. Otherwise, pass Spaces.</p> <p>Hours worked on the first day for a specific event code per day.</p> <p>Please only pass either DAY_X_HRS_MIN or DAY_X_TITO_HRS.</p> <p>DAY_X_HRS_MIN shall be passed for leaves like Sick or Vacation where as</p> <p>DAY_X_TITO_HRS shall be passed on a daily basis.</p>



Attribute	Caption	Description	R/C	Type	Size	Comments
DAY_21_HRS_MIN	D21	Time worked on the twentifirst day of pay period.	O	T	5	<p>If applicable, this column will contain the employee's total time for the first day in HH:MM format. For example, if the total time is seven hours and 15 minutes, please pass '07:15'. Otherwise, pass Spaces.</p> <p>Hours worked on the first day for a specific event code per day.</p> <p>Please only pass either DAY_X_HRS_MIN or DAY_X_TITO_HRS.</p> <p>DAY_X_HRS_MIN shall be passed for leaves like Sick or Vacation where as</p> <p>DAY_X_TITO_HRS shall be passed on a daily basis.</p>
DAY_22_HRS_MIN	D22	Time worked on the twentisecond day of pay period.	O	T	5	<p>If applicable, this column will contain the employee's total time for the first day in HH:MM format. For example, if the total time is seven hours and 15 minutes, please pass '07:15'. Otherwise, pass Spaces.</p> <p>Hours worked on the first day for a specific event code per day.</p> <p>Please only pass either DAY_X_HRS_MIN or DAY_X_TITO_HRS.</p> <p>DAY_X_HRS_MIN shall be passed for leaves like Sick or Vacation where as</p> <p>DAY_X_TITO_HRS shall be passed on a daily basis.</p>







Attribute	Caption	Description	R/C	Type	Size	Comments
DAY_23_HRS_MIN	D23	Time worked on the twentiethird day of pay period.	O	T	5	<p>If applicable, this column will contain the employee's total time for the first day in HH:MM format. For example, if the total time is seven hours and 15 minutes, please pass '07:15'. Otherwise, pass Spaces.</p> <p>Hours worked on the first day for a specific event code per day.</p> <p>Please only pass either DAY_X_HRS_MIN or DAY_X_TITO_HRS.</p> <p>DAY_X_HRS_MIN shall be passed for leaves like Sick or Vacation where as</p> <p>DAY_X_TITO_HRS shall be passed on a daily basis.</p>
DAY_24_HRS_MIN	D24	Time worked on the twentifourth day of pay period.	O	T	5	<p>If applicable, this column will contain the employee's total time for the first day in HH:MM format. For example, if the total time is seven hours and 15 minutes, please pass '07:15'. Otherwise, pass Spaces.</p> <p>Hours worked on the first day for a specific event code per day.</p> <p>Please only pass either DAY_X_HRS_MIN or DAY_X_TITO_HRS.</p> <p>DAY_X_HRS_MIN shall be passed for leaves like Sick or Vacation where as</p> <p>DAY_X_TITO_HRS shall be passed on a daily basis.</p>



Attribute	Caption	Description	R/C	Type	Size	Comments
DAY_25_HRS_MIN	D25	Time worked on the twentieth day of pay period.	O	T	5	<p>If applicable, this column will contain the employee's total time for the first day in HH:MM format. For example, if the total time is seven hours and 15 minutes, please pass '07:15'. Otherwise, pass Spaces.</p> <p>Hours worked on the first day for a specific event code per day.</p> <p>Please only pass either DAY_X_HRS_MIN or DAY_X_TITO_HRS.</p> <p>DAY_X_HRS_MIN shall be passed for leaves like Sick or Vacation where as</p> <p>DAY_X_TITO_HRS shall be passed on a daily basis.</p>
DAY_26_HRS_MIN	D26	Time worked on the twentieth day of pay period.	O	T	5	<p>If applicable, this column will contain the employee's total time for the first day in HH:MM format. For example, if the total time is seven hours and 15 minutes, please pass '07:15'. Otherwise, pass Spaces.</p> <p>Hours worked on the first day for a specific event code per day.</p> <p>Please only pass either DAY_X_HRS_MIN or DAY_X_TITO_HRS.</p> <p>DAY_X_HRS_MIN shall be passed for leaves like Sick or Vacation where as</p> <p>DAY_X_TITO_HRS shall be passed on a daily basis.</p>



Attribute	Caption	Description	R/C	Type	Size	Comments
DAY_27_HRS_MIN	D27	Time worked on the twentiseventh day of pay period.	O	T	5	<p>If applicable, this column will contain the employee's total time for the first day in HH:MM format. For example, if the total time is seven hours and 15 minutes, please pass '07:15'. Otherwise, pass Spaces.</p> <p>Hours worked on the first day for a specific event code per day.</p> <p>Please only pass either DAY_X_HRS_MIN or DAY_X_TITO_HRS.</p> <p>DAY_X_HRS_MIN shall be passed for leaves like Sick or Vacation where as</p> <p>DAY_X_TITO_HRS shall be passed on a daily basis.</p>
DAY_28_HRS_MIN	D28	Time worked on the twentieighth day of pay period.	O	T	5	<p>If applicable, this column will contain the employee's total time for the first day in HH:MM format. For example, if the total time is seven hours and 15 minutes, please pass '07:15'. Otherwise, pass Spaces.</p> <p>Hours worked on the first day for a specific event code per day.</p> <p>Please only pass either DAY_X_HRS_MIN or DAY_X_TITO_HRS.</p> <p>DAY_X_HRS_MIN shall be passed for leaves like Sick or Vacation where as</p> <p>DAY_X_TITO_HRS shall be passed on a daily basis.</p>





Attribute	Caption	Description	R/C	Type	Size	Comments
DAY_29_HRS_MIN	D29	Time worked on the twentyninth day of pay period.	O	T	5	<p>If applicable, this column will contain the employee's total time for the first day in HH:MM format. For example, if the total time is seven hours and 15 minutes, please pass '07:15'. Otherwise, pass Spaces.</p> <p>Hours worked on the first day for a specific event code per day.</p> <p>Please only pass either DAY_X_HRS_MIN or DAY_X_TITO_HRS.</p> <p>DAY_X_HRS_MIN shall be passed for leaves like Sick or Vacation where as</p> <p>DAY_X_TITO_HRS shall be passed on a daily basis.</p>
DAY_30_HRS_MIN	D30	Time worked on the thirtieth day of pay period.	O	T	5	<p>If applicable, this column will contain the employee's total time for the first day in HH:MM format. For example, if the total time is seven hours and 15 minutes, please pass '07:15'. Otherwise, pass Spaces.</p> <p>Hours worked on the first day for a specific event code per day.</p> <p>Please only pass either DAY_X_HRS_MIN or DAY_X_TITO_HRS.</p> <p>DAY_X_HRS_MIN shall be passed for leaves like Sick or Vacation where as</p> <p>DAY_X_TITO_HRS shall be passed on a daily basis.</p>



Attribute	Caption	Description	R/C	Type	Size	Comments
DAY_31_HRS_MIN	D31	Time worked on the thirtieth day of pay period.	O	T	5	If applicable, this column will contain the employee's total time for the first day in HH:MM format. For example, if the total time is seven hours and 15 minutes, please pass '07:15'. Otherwise, pass Spaces. Hours worked on the first day for a specific event code per day. Please only pass either DAY_X_HRS_MIN or DAY_X_TITO_HRS. DAY_X_HRS_MIN shall be passed for leaves like Sick or Vacation where as DAY_X_TITO_HRS shall be passed on a daily basis.
PROG_CD	Project Code	The unique identification code assigned to the project.	O	T	10	If there's a deviation from the default accounting, this column will contain the project code that the hours will be charged to. Otherwise, pass Spaces. Valid values can be found in the R_PROG table in the eCAPS Financial system.
TASK_CD	Task Code	The unique identification code assigned to the task.	O	T	4	If there's a deviation from the default accounting, this column will contain the task code that the hours will be charged to. Otherwise, pass Spaces. Valid values can be found in the R_TASK table in the eCAPS Financial system.
PHASE_CD	Phase Code	The identification code assigned to the phase.	O	T	6	If there's a deviation from the default accounting, this column will contain the phase code that the hours will be charged to. Otherwise, pass Spaces. Valid values can be found in the R_PHASE table in the eCAPS Financial system.
ACTV_CD	Act Code	The identification code associated with the activity.	O	T	4	If there's a deviation from the default accounting, this column will contain the activity code that the hours will be charged to. Otherwise, pass Spaces. Valid values can be found in the R_ACTV table in the eCAPS Financial system.



Attribute	Caption	Description	R/C	Type	Size	Comments
SACTV_CD	Sub Act Code	The identification code associated with the sub-activity.	O	T	4	If there's a deviation from the default accounting, this column will contain the sub activity code that the hours will be charged to. Otherwise, pass Spaces. Valid values can be found in the R_SACTV table in the eCAPS Financial system.
LOC_CD	Loc Code	The identification code assigned to the location.	O	T	4	If there's a deviation from the default accounting, this column will contain the location code that the hours will be charged to. Otherwise, pass Spaces. Valid values can be found in the R_LOC table in the eCAPS Financial system.
TASK_ORD_CD	Task Order Code	The unique identification code assigned to the task order.	O	T	6	If there's a deviation from the default accounting, this column will contain the task order code that the hours will be charged to. Otherwise, pass Spaces. Valid values can be found in the R_TASK_ORD table in the eCAPS Financial system.
UNIT_CD	Unit Code	The identification code associated with the accounting organization or the unit within the department.	O	T	5	If there's a deviation from the default accounting, this column will contain the unit code that the hours will be charged to. Otherwise, pass Spaces. Valid values can be found in the R_UNIT table in the eCAPS Financial system.
LABR_DIST_PROF_CD	LDPR Code	The value for the labor distribution profile.	O	T	5	If there's a deviation from the default accounting, this column will contain the Labor Distribution Override code that the hours will be charged to. Otherwise, pass Spaces. Valid values can be found in the LABOR_DIST_PROF table in the Time Collection system.
FUND_CD	Fund Code	The identification code associated with a fund record.	O	T	4	If there's a deviation from default accounting, this column will contain the fund code that the hours will be charged to. Otherwise, pass Spaces. Valid values can be found in the R_FUND table in the eCAPS Financial system.





Attribute	Caption	Description	R/C	Type	Size	Comments
SFUND_CD	Sub Fund Code	The identification code associated with the sub fund.	O	T	4	If there's a deviation from default accounting, this column will contain the sub fund code that the hours will be charged to. Otherwise, pass Spaces. Valid values can be found in the R_SFUND table in the eCAPS Financial system.
DEPT_CD	Department Code	The identification code associated with the accounting department.	O	T	2	If there's a deviation from default accounting, this column will contain the department code that the hours will be charged to. Otherwise, pass Spaces. Valid values can be found in the R_DEPT table in the eCAPS Financial system.
SUNIT_CD	Sub Unit Code	The identification code associated with the sub unit.	O	T	5	If there's a deviation from default accounting, this column will contain the sub unit code that the hours will be charged to. Otherwise, pass Spaces. Valid values can be found in the R_SUNIT table in the eCAPS Financial system.
APPR_CD	Appropriation Code	The identification code assigned to a appropriation unit.	O	T	9	If there's a deviation from default accounting, this column will contain the appropriation code that the hours will be charged to. Otherwise, pass Spaces. Valid values can be found in the R_APPR table in the eCAPS Financial system.
SLOC_CD	Sub Location Code	The identification code associated with the sub location.	O	T	4	If there's a deviation from default accounting, this column will contain the sub location code that the hours will be charged to. Otherwise, pass Spaces. Valid values can be found in the R_SLOC table in the eCAPS Financial system.
FUNC_CD	Function Code	The identification code associated with the function.	O	T	4	If there's a deviation from default accounting, this column will contain the functional code that the hours will be charged to. Otherwise, pass Spaces. Valid values can be found in the R_FUNC table in the eCAPS Financial system.
SFUNC_CD	Sub Function Code	The identification code associated with the sub function.	O	T	4	If there's a deviation from default accounting, this column will contain the sub functional code that the hours will be charged to. Otherwise, pass Spaces. Valid values can be found in the R_SFUNC table in the eCAPS Financial system.





Attribute	Caption	Description	R/C	Type	Size	Comments
STASK_CD	Sub Task Code	The identification code associated with the sub task.	O	T	4	If there's a deviation from default accounting, this column will contain the sub task code that the hours will be charged to. Otherwise, pass Spaces. Valid values can be found in the R_STASK table in the eCAPS Financial system.
PPC_CD	Project Period Code	The identification code assigned to the project period.	O	T	6	If there's a deviation from default accounting, this column will contain the project period code that the hours will be charged to. Otherwise, pass Spaces. Valid values can be found in the R_PPC table in the eCAPS Financial system.
OTIME_RSN_CD	Overtime Reason Code	The reason code for Overtime.	O	T	3	If there is any reason for overtime that needs to be entered, pass it in this field. Valid values for this field can be found on OVERTIME_REASON table on the Time Collection System.
MDF	Management Data Field	It is a free form text field called the Management Data Field.	O	T	32	Each department will use this field for a different purpose. For instance, DHS plans on using this to pass their 3 byte Department Specific ID.
DAY_1_TITO_HRS	T1	Time worked on the first day of pay period.	O	T	47	This section contains the Time In/Time Out Information. For instance, if an employee on a day comes in at 07:00 and leaves at 10:00 and then comes in at 12:00 and leaves 03:00, the values will be stored as follows: 07:00, 10:00, 12:00, 03:00. Format HH:MM. Please only pass either DAY_X_HRS_MIN or DAY_X_TITO_HRS. DAY_X_HRS_MIN shall be passed for leaves like Sick or Vacation where as DAY_X_TITO_HRS shall be passed on a daily basis.





Attribute	Caption	Description	R/C	Type	Size	Comments
DAY_2_TITO_HRS	T2	Time worked on the second day of pay period.	O	T	47	<p>This section contains the Time In/Time Out Information. For instance, if an employee on a day comes in at 07:00 and leaves at 10:00 and then comes in at 12:00 and leaves 03:00, the values will be stored as follows: 07:00, 10:00, 12:00, 03:00. Format HH:MM.</p> <p>Please only pass either DAY_X_HRS_MIN or DAY_X_TITO_HRS.</p> <p>DAY_X_HRS_MIN shall be passed for leaves like Sick or Vacation where as DAY_X_TITO_HRS shall be passed on a daily basis.</p>
DAY_3_TITO_HRS	T3	Time worked on the third day of pay period.	O	T	47	<p>This section contains the Time In/Time Out Information. For instance, if an employee on a day comes in at 07:00 and leaves at 10:00 and then comes in at 12:00 and leaves 03:00, the values will be stored as follows: 07:00, 10:00, 12:00, 03:00. Format HH:MM.</p> <p>Please only pass either DAY_X_HRS_MIN or DAY_X_TITO_HRS.</p> <p>DAY_X_HRS_MIN shall be passed for leaves like Sick or Vacation where as DAY_X_TITO_HRS shall be passed on a daily basis.</p>



Attribute	Caption	Description	R/C	Type	Size	Comments
DAY_4_TITO_HRS	T4	Time worked on the fourth day of pay period.	O	T	47	This section contains the Time In/Time Out Information. For instance, if an employee on a day comes in at 07:00 and leaves at 10:00 and then comes in at 12:00 and leaves 03:00, the values will be stored as follows: 07:00, 10:00, 12:00, 03:00. Format HH:MM. Please only pass either DAY_X_HRS_MIN or DAY_X_TITO_HRS. DAY_X_HRS_MIN shall be passed for leaves like Sick or Vacation where as DAY_X_TITO_HRS shall be passed on a daily basis.
DAY_5_TITO_HRS	T5	Time worked on the fifth day of pay period.	O	T	47	This section contains the Time In/Time Out Information. For instance, if an employee on a day comes in at 07:00 and leaves at 10:00 and then comes in at 12:00 and leaves 03:00, the values will be stored as follows: 07:00, 10:00, 12:00, 03:00. Format HH:MM. Please only pass either DAY_X_HRS_MIN or DAY_X_TITO_HRS. DAY_X_HRS_MIN shall be passed for leaves like Sick or Vacation where as DAY_X_TITO_HRS shall be passed on a daily basis.



Attribute	Caption	Description	R/C	Type	Size	Comments
DAY_6_TITO_HRS	T6	Time worked on the sixth day of pay period.	O	T	47	This section contains the Time In/Time Out Information. For instance, if an employee on a day comes in at 07:00 and leaves at 10:00 and then comes in at 12:00 and leaves 03:00, the values will be stored as follows: 07:00, 10:00, 12:00, 03:00. Format HH:MM. Please only pass either DAY_X_HRS_MIN or DAY_X_TITO_HRS. DAY_X_HRS_MIN shall be passed for leaves like Sick or Vacation where as DAY_X_TITO_HRS shall be passed on a daily basis.
DAY_7_TITO_HRS	T7	Time worked on the seventh day of pay period.	O	T	47	This section contains the Time In/Time Out Information. For instance, if an employee on a day comes in at 07:00 and leaves at 10:00 and then comes in at 12:00 and leaves 03:00, the values will be stored as follows: 07:00, 10:00, 12:00, 03:00. Format HH:MM. Please only pass either DAY_X_HRS_MIN or DAY_X_TITO_HRS. DAY_X_HRS_MIN shall be passed for leaves like Sick or Vacation where as DAY_X_TITO_HRS shall be passed on a daily basis.

Attribute	Caption	Description	R/C	Type	Size	Comments
DAY_8_TITO_HRS	T8	Time worked on the eighth day of pay period.	O	T	47	This section contains the Time In/Time Out Information. For instance, if an employee on a day comes in at 07:00 and leaves at 10:00 and then comes in at 12:00 and leaves 03:00, the values will be stored as follows: 07:00, 10:00, 12:00, 03:00. Format HH:MM. Please only pass either DAY_X_HRS_MIN or DAY_X_TITO_HRS. DAY_X_HRS_MIN shall be passed for leaves like Sick or Vacation where as DAY_X_TITO_HRS shall be passed on a daily basis.
DAY_9_TITO_HRS	T9	Time worked on the ninth day of pay period.	O	T	47	This section contains the Time In/Time Out Information. For instance, if an employee on a day comes in at 07:00 and leaves at 10:00 and then comes in at 12:00 and leaves 03:00, the values will be stored as follows: 07:00, 10:00, 12:00, 03:00. Format HH:MM. Please only pass either DAY_X_HRS_MIN or DAY_X_TITO_HRS. DAY_X_HRS_MIN shall be passed for leaves like Sick or Vacation where as DAY_X_TITO_HRS shall be passed on a daily basis.

Attribute	Caption	Description	R/C	Type	Size	Comments
DAY_10_TITO_HRS	T10	Time worked on the tenth day of pay period.	O	T	47	This section contains the Time In/Time Out Information. For instance, if an employee on a day comes in at 07:00 and leaves at 10:00 and then comes in at 12:00 and leaves 03:00, the values will be stored as follows: 07:00, 10:00, 12:00, 03:00. Format HH:MM. Please only pass either DAY_X_HRS_MIN or DAY_X_TITO_HRS. DAY_X_HRS_MIN shall be passed for leaves like Sick or Vacation where as DAY_X_TITO_HRS shall be passed on a daily basis.
DAY_11_TITO_HRS	T11	Time worked on the eleventh day of pay period.	O	T	47	This section contains the Time In/Time Out Information. For instance, if an employee on a day comes in at 07:00 and leaves at 10:00 and then comes in at 12:00 and leaves 03:00, the values will be stored as follows: 07:00, 10:00, 12:00, 03:00. Format HH:MM. Please only pass either DAY_X_HRS_MIN or DAY_X_TITO_HRS. DAY_X_HRS_MIN shall be passed for leaves like Sick or Vacation where as DAY_X_TITO_HRS shall be passed on a daily basis.

Attribute	Caption	Description	R/C	Type	Size	Comments
DAY_12_TITO_HRS	T12	Time worked on the twelfth day of pay period.	O	T	47	This section contains the Time In/Time Out Information. For instance, if an employee on a day comes in at 07:00 and leaves at 10:00 and then comes in at 12:00 and leaves 03:00, the values will be stored as follows: 07:00, 10:00, 12:00, 03:00. Format HH:MM. Please only pass either DAY_X_HRS_MIN or DAY_X_TITO_HRS. DAY_X_HRS_MIN shall be passed for leaves like Sick or Vacation where as DAY_X_TITO_HRS shall be passed on a daily basis.
DAY_13_TITO_HRS	T13	Time worked on the thirteenth day of pay period.	O	T	47	This section contains the Time In/Time Out Information. For instance, if an employee on a day comes in at 07:00 and leaves at 10:00 and then comes in at 12:00 and leaves 03:00, the values will be stored as follows: 07:00, 10:00, 12:00, 03:00. Format HH:MM. Please only pass either DAY_X_HRS_MIN or DAY_X_TITO_HRS. DAY_X_HRS_MIN shall be passed for leaves like Sick or Vacation where as DAY_X_TITO_HRS shall be passed on a daily basis.

Attribute	Caption	Description	R/C	Type	Size	Comments
DAY_14_TITO_HRS	T14	Time worked on the fourteenth day of pay period.	O	T	47	This section contains the Time In/Time Out Information. For instance, if an employee on a day comes in at 07:00 and leaves at 10:00 and then comes in at 12:00 and leaves 03:00, the values will be stored as follows: 07:00, 10:00, 12:00, 03:00. Format HH:MM. Please only pass either DAY_X_HRS_MIN or DAY_X_TITO_HRS. DAY_X_HRS_MIN shall be passed for leaves like Sick or Vacation where as DAY_X_TITO_HRS shall be passed on a daily basis.
DAY_15_TITO_HRS	T15	Time worked on the fifteenth day of pay period.	O	T	47	This section contains the Time In/Time Out Information. For instance, if an employee on a day comes in at 07:00 and leaves at 10:00 and then comes in at 12:00 and leaves 03:00, the values will be stored as follows: 07:00, 10:00, 12:00, 03:00. Format HH:MM. Please only pass either DAY_X_HRS_MIN or DAY_X_TITO_HRS. DAY_X_HRS_MIN shall be passed for leaves like Sick or Vacation where as DAY_X_TITO_HRS shall be passed on a daily basis.

Attribute	Caption	Description	R/C	Type	Size	Comments
DAY_16_TITO_HRS	T16	Time worked on the sixteenth day of pay period.	O	T	47	This section contains the Time In/Time Out Information. For instance, if an employee on a day comes in at 07:00 and leaves at 10:00 and then comes in at 12:00 and leaves 03:00, the values will be stored as follows: 07:00, 10:00, 12:00, 03:00. Format HH:MM. Please only pass either DAY_X_HRS_MIN or DAY_X_TITO_HRS. DAY_X_HRS_MIN shall be passed for leaves like Sick or Vacation where as DAY_X_TITO_HRS shall be passed on a daily basis.
DAY_17_TITO_HRS	T17	Time worked on the seventeenth day of pay period.	O	T	47	This section contains the Time In/Time Out Information. For instance, if an employee on a day comes in at 07:00 and leaves at 10:00 and then comes in at 12:00 and leaves 03:00, the values will be stored as follows: 07:00, 10:00, 12:00, 03:00. Format HH:MM. Please only pass either DAY_X_HRS_MIN or DAY_X_TITO_HRS. DAY_X_HRS_MIN shall be passed for leaves like Sick or Vacation where as DAY_X_TITO_HRS shall be passed on a daily basis.



Attribute	Caption	Description	R/C	Type	Size	Comments
DAY_18_TITO_HRS	T18	Time worked on the eighteenth day of pay period.	O	T	47	This section contains the Time In/Time Out Information. For instance, if an employee on a day comes in at 07:00 and leaves at 10:00 and then comes in at 12:00 and leaves 03:00, the values will be stored as follows: 07:00, 10:00, 12:00, 03:00. Format HH:MM. Please only pass either DAY_X_HRS_MIN or DAY_X_TITO_HRS. DAY_X_HRS_MIN shall be passed for leaves like Sick or Vacation where as DAY_X_TITO_HRS shall be passed on a daily basis.
DAY_19_TITO_HRS	T19	Time worked on the nineteenth day of pay period.	O	T	47	This section contains the Time In/Time Out Information. For instance, if an employee on a day comes in at 07:00 and leaves at 10:00 and then comes in at 12:00 and leaves 03:00, the values will be stored as follows: 07:00, 10:00, 12:00, 03:00. Format HH:MM. Please only pass either DAY_X_HRS_MIN or DAY_X_TITO_HRS. DAY_X_HRS_MIN shall be passed for leaves like Sick or Vacation where as DAY_X_TITO_HRS shall be passed on a daily basis.

Attribute	Caption	Description	R/C	Type	Size	Comments
DAY_20_TITO_HRS	T20	Time worked on the twentieth day of pay period.	O	T	47	<p>This section contains the Time In/Time Out Information. For instance, if an employee on a day comes in at 07:00 and leaves at 10:00 and then comes in at 12:00 and leaves 03:00, the values will be stored as follows: 07:00, 10:00, 12:00, 03:00. Format HH:MM.</p> <p>Please only pass either DAY_X_HRS_MIN or DAY_X_TITO_HRS.</p> <p>DAY_X_HRS_MIN shall be passed for leaves like Sick or Vacation where as DAY_X_TITO_HRS shall be passed on a daily basis.</p>
DAY_21_TITO_HRS	T21	Time worked on the twentifirst day of pay period.	O	T	47	<p>This section contains the Time In/Time Out Information. For instance, if an employee on a day comes in at 07:00 and leaves at 10:00 and then comes in at 12:00 and leaves 03:00, the values will be stored as follows: 07:00, 10:00, 12:00, 03:00. Format HH:MM.</p> <p>Please only pass either DAY_X_HRS_MIN or DAY_X_TITO_HRS.</p> <p>DAY_X_HRS_MIN shall be passed for leaves like Sick or Vacation where as DAY_X_TITO_HRS shall be passed on a daily basis.</p>

Attribute	Caption	Description	R/C	Type	Size	Comments
DAY_22_TITO_HRS	T22	Time worked on the twentisecond day of pay period.	O	T	47	This section contains the Time In/Time Out Information. For instance, if an employee on a day comes in at 07:00 and leaves at 10:00 and then comes in at 12:00 and leaves 03:00, the values will be stored as follows: 07:00, 10:00, 12:00, 03:00. Format HH:MM. Please only pass either DAY_X_HRS_MIN or DAY_X_TITO_HRS. DAY_X_HRS_MIN shall be passed for leaves like Sick or Vacation where as DAY_X_TITO_HRS shall be passed on a daily basis.
DAY_23_TITO_HRS	T23	Time worked on the twentiethird day of pay period.	O	T	47	This section contains the Time In/Time Out Information. For instance, if an employee on a day comes in at 07:00 and leaves at 10:00 and then comes in at 12:00 and leaves 03:00, the values will be stored as follows: 07:00, 10:00, 12:00, 03:00. Format HH:MM. Please only pass either DAY_X_HRS_MIN or DAY_X_TITO_HRS. DAY_X_HRS_MIN shall be passed for leaves like Sick or Vacation where as DAY_X_TITO_HRS shall be passed on a daily basis.

Attribute	Caption	Description	R/C	Type	Size	Comments
DAY_24_TITO_HRS	T24	Time worked on the twentifourth day of pay period.	O	T	47	This section contains the Time In/Time Out Information. For instance, if an employee on a day comes in at 07:00 and leaves at 10:00 and then comes in at 12:00 and leaves 03:00, the values will be stored as follows: 07:00, 10:00, 12:00, 03:00. Format HH:MM. Please only pass either DAY_X_HRS_MIN or DAY_X_TITO_HRS. DAY_X_HRS_MIN shall be passed for leaves like Sick or Vacation where as DAY_X_TITO_HRS shall be passed on a daily basis.
DAY_25_TITO_HRS	T25	Time worked on the twentififth day of pay period.	O	T	47	This section contains the Time In/Time Out Information. For instance, if an employee on a day comes in at 07:00 and leaves at 10:00 and then comes in at 12:00 and leaves 03:00, the values will be stored as follows: 07:00, 10:00, 12:00, 03:00. Format HH:MM. Please only pass either DAY_X_HRS_MIN or DAY_X_TITO_HRS. DAY_X_HRS_MIN shall be passed for leaves like Sick or Vacation where as DAY_X_TITO_HRS shall be passed on a daily basis.



Attribute	Caption	Description	R/C	Type	Size	Comments
DAY_26_TITO_HRS	T26	Time worked on the twentififth day of pay period.	O	T	47	This section contains the Time In/Time Out Information. For instance, if an employee on a day comes in at 07:00 and leaves at 10:00 and then comes in at 12:00 and leaves 03:00, the values will be stored as follows: 07:00, 10:00, 12:00, 03:00. Format HH:MM. Please only pass either DAY_X_HRS_MIN or DAY_X_TITO_HRS. DAY_X_HRS_MIN shall be passed for leaves like Sick or Vacation where as DAY_X_TITO_HRS shall be passed on a daily basis.
DAY_27_TITO_HRS	T27	Time worked on the twentiseventh day of pay period.	O	T	47	This section contains the Time In/Time Out Information. For instance, if an employee on a day comes in at 07:00 and leaves at 10:00 and then comes in at 12:00 and leaves 03:00, the values will be stored as follows: 07:00, 10:00, 12:00, 03:00. Format HH:MM. Please only pass either DAY_X_HRS_MIN or DAY_X_TITO_HRS. DAY_X_HRS_MIN shall be passed for leaves like Sick or Vacation where as DAY_X_TITO_HRS shall be passed on a daily basis.





Attribute	Caption	Description	R/C	Type	Size	Comments
DAY_28_TITO_HRS	T28	Time worked on the twentieth day of pay period.	O	T	47	This section contains the Time In/Time Out Information. For instance, if an employee on a day comes in at 07:00 and leaves at 10:00 and then comes in at 12:00 and leaves 03:00, the values will be stored as follows: 07:00, 10:00, 12:00, 03:00. Format HH:MM. Please only pass either DAY_X_HRS_MIN or DAY_X_TITO_HRS. DAY_X_HRS_MIN shall be passed for leaves like Sick or Vacation where as DAY_X_TITO_HRS shall be passed on a daily basis.
DAY_29_TITO_HRS	T29	Time worked on the twentininth day of pay period.	O	T	47	This section contains the Time In/Time Out Information. For instance, if an employee on a day comes in at 07:00 and leaves at 10:00 and then comes in at 12:00 and leaves 03:00, the values will be stored as follows: 07:00, 10:00, 12:00, 03:00. Format HH:MM. Please only pass either DAY_X_HRS_MIN or DAY_X_TITO_HRS. DAY_X_HRS_MIN shall be passed for leaves like Sick or Vacation where as DAY_X_TITO_HRS shall be passed on a daily basis.





Attribute	Caption	Description	R/C	Type	Size	Comments
DAY_30_TITO_HRS	T30	Time worked on the thirtieth day of pay period.	O	T	47	This section contains the Time In/Time Out Information. For instance, if an employee on a day comes in at 07:00 and leaves at 10:00 and then comes in at 12:00 and leaves 03:00, the values will be stored as follows: 07:00, 10:00, 12:00, 03:00. Format HH:MM. Please only pass either DAY_X_HRS_MIN or DAY_X_TITO_HRS. DAY_X_HRS_MIN shall be passed for leaves like Sick or Vacation where as DAY_X_TITO_HRS shall be passed on a daily basis.
DAY_31_TITO_HRS	T31	Time worked on the thirtieth day of pay period.	O	T	47	This section contains the Time In/Time Out Information. For instance, if an employee on a day comes in at 07:00 and leaves at 10:00 and then comes in at 12:00 and leaves 03:00, the values will be stored as follows: 07:00, 10:00, 12:00, 03:00. Format HH:MM. Please only pass either DAY_X_HRS_MIN or DAY_X_TITO_HRS. DAY_X_HRS_MIN shall be passed for leaves like Sick or Vacation where as DAY_X_TITO_HRS shall be passed on a daily basis.





**Exhibit 2-5 TIMEI Trailer Layout (TRL Record)**

Attribute	Caption	Description	R/C	Type	Size	Byte Position	Comments
RECORD_TYPE	Record Type	This record identifies the file record as the trailer record. The value is 'TRL'.	R	T	3	0	"TRL"
FILE_NAME	File Name	The text name of the file.	R	T	32	3	Example: ECAPS_HS_TIMEI_ANSOS_20051101  This file name must match the file name of the physical file. In the case where multiple files are sent on the same day, the file name should be unique.
RCD_CNT_N	Record Count	The numeric count of all records within this file.	R	N	10	35	The count of all records within this file. This includes all record types, including the trailer record itself.
HDR_CNT_N	Header Count	The numeric count of all header records within this file.	R	N	10	45	The count of all header records within this file. This includes records identified by "HDR" in bytes 1 – 3.
SUM_ACCT1	Summary Amount 1	Summary total of dollar amounts1.	R	N	(16,2)	55	Spaces







<b>Attribute</b>	<b>Caption</b>	<b>Description</b>	<b>R/C</b>	<b>Type</b>	<b>Size</b>	<b>Byte Position</b>	<b>Comments</b>
SUM_ACCT2	Summary Amount 2	Summary total of dollar amounts2.	R	N	(16,2)	74	Spaces

